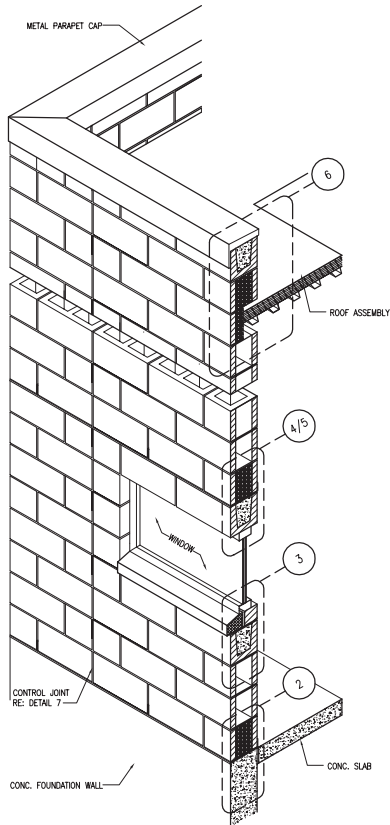
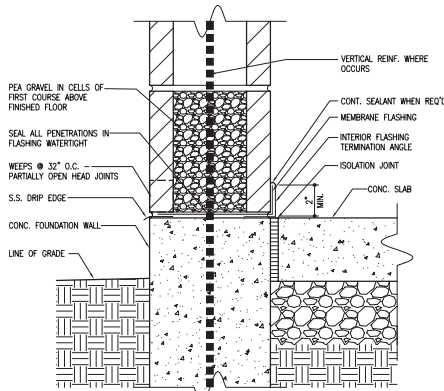


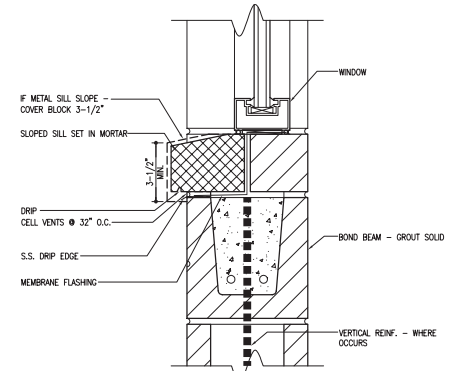
# Suggested Details



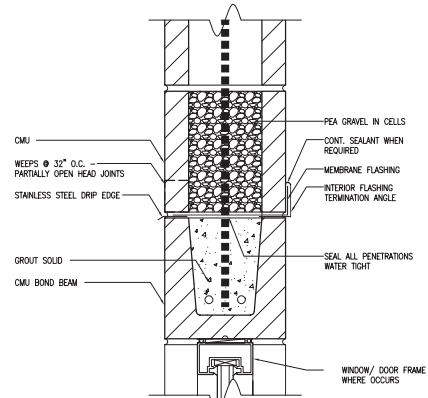
OVERALL ISOMETRIC SECTION



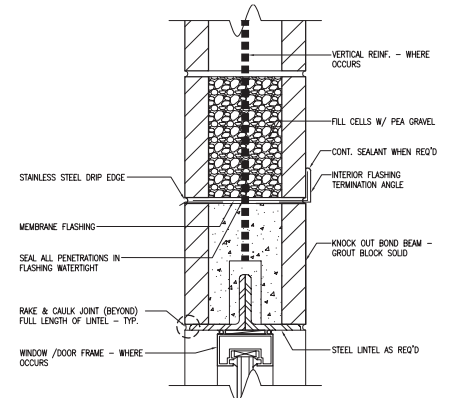
TYPICAL BASE CONDITION



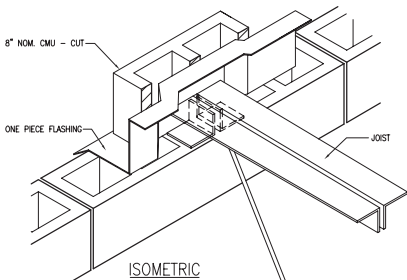
TYPICAL SILL CONDITION



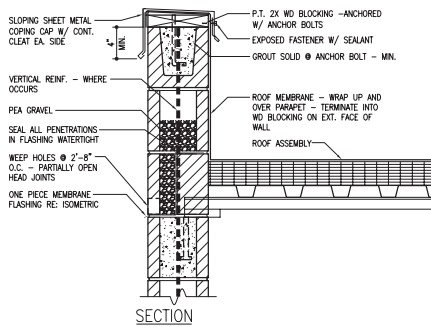
TYPICAL OPENING CONDITION - BOND BEAM



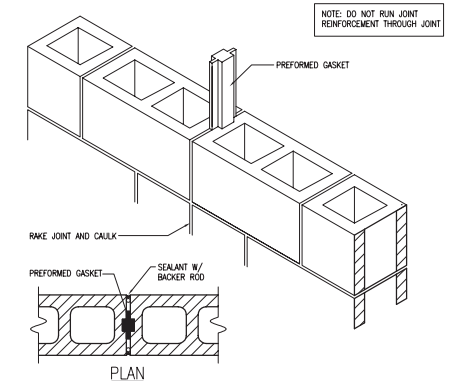
TYPICAL OPENING CONDITION - STEEL LINTEL



PARAPET CONDITION



PARAPET CONDITION



TYPICAL CONTROL JOINT